



- ADA and TAS Compliant
- Serves One or Two Users at a Time
- Standard Lavatory Spacing on 30" Centers
- Continuous Bowl, Sprayhead and End Caps are Constructed of Terreon® or Terreon®RE Solid Surface Material
- Available in a variety of colors
- Reliable Plug-in or Battery Infrared Activation, Push Button Air Valve, or TouchTime® Mechanical Metering or TouchTime Piezo Metering

Specifications

The flowing "wave" design accommodates one to two users. Units handle washroom traffic quickly and economically, while providing each user with personal space. Lavatories for the system are positioned on 30" centers. Bradley's continuous bowl features a contemporary flowing "wave" design. This unique "wave" pattern is repeated in the sprayhead, integrating the components. The preassembled sprayhead module is equipped with independent aerators, each served by separate infrared sensing module and solenoid valve (Model MG-2/IRP), push button air metering valve (Model MG-2/AST4), TouchTime® electronic metering push button (Model MG-2/TTPA) or TouchTime electronic piezo metering switch (MG-2/TTPB), or independent battery IR sensor and batteries (Model MG-2/BIR3). Operating range is 20–80 PSI. Flow restrictor keeps flow rate constant at all pressures. Flow rate: 0.5 GPM.

Construction

Bowl, Sprayhead and Pedestal End Caps

Constructed of Terreon, a densified solid surface material composed of polyester resin, or TerreonRE, a densified solid surface material composed of a bio-based resin and preconsumer recycled granules. Terreon and TerreonRE are resistant to chemicals, stains, burns and impact. Surface damage can be easily repaired with everyday cleansers or fine grit abrasives. Terreon and TerreonRE are certified by Home Innovation Lab to meet CSA B45.5/IAPMO Z124. Terreon and TerreonRE are GREENGUARD® certified as low-emitting materials.

Support Frame and Access Panel

Bowl assembly and pedestal end caps are secured to a heavy gauge stainless steel support frame mounted to the wall. The contoured front access panel is constructed of 300 series stainless steel.

Vandal Resistance

The molded solid surface sprayhead is an integral part of the bowl module. A free-spinning collar protects the aerator from vandalism. The infrared sensor will automatically shut off water flow after 30–45 seconds if a vandal attempts to trigger constant operation by covering the sensor, or by placing a stationary object in the sensor's detection area. Push buttons are secured to the unit from inside the sprayhead. Air valves, water supplies and waste are concealed within the pedestal/support frame assembly.



Code Compliance and Certifications

ANSI Standards

Terreon and TerreonRE are Home Innovation Lab certified to meet CSA B45.5/IAPMO Z124.

cUPC Approval

Express Lavatory Systems are Uniform Plumbing Code (UPC), International Plumbing Code (IPC) and National Plumbing Code of Canada (NPC) approved through the International Association of Plumbing and Mechanical Officials (IAPMO). Manufactured in compliance with IGC 156, CSA B45 Series (R08) & ASME A112.18.1/CSA B125.1.

This plumbing fixture is designed for hand washing only. It is not intended to dispense water for human consumption through drinking or for preparation of food or beverages.

Standard product selections contained within this document are third party **CERTIFIED** to NSF/ANSI 372 meeting the Lead-Free content requirement. Any product configured with custom options will be **COMPLIANT** with NSF/ANSI 372 meeting the Lead-Free content requirement.

Standard Height Mounting

The Express Lavatory System model MG-2 mounted at standard height is designed to comply with all ADA guidelines on reaches, clearances and operation. To comply with ADA, the rim height of the Express Lavatory System bowl must be 33.5" maximum above the finished floor.

Juvenile Height Mounting

The Express Lavatory System model MG-2 is designed to mount at different heights to comply with guidelines on reaches, clearances and operation for various codes including, ADA Accessibility Guidelines for Buildings and Facilities (ADAAG) and TAS (Texas Accessibility Standards). Always check your local and state codes.



Verify all rough-in dimensions prior to installation.

Consult local and national codes. Conformity and compliance to local and national codes is the responsibility of the installer.

Page 1 of 5 3/16/2017

This information is subject to change without notice.

Bradley_Sink_Express_MG-2



MG-2 Express® Lavatory System – MG-Series

Standard Equipment

Continuous bowl with two lavatories, sprayhead, pedestal, stainless steel mounting frame (as described above), 120VAC/12VDC plug-in adapter (Model MG-2/IRP, Model MG-2/TTPA and Model MG-2/TTPB). Batteries are included (Model MG-3/BIR3). The following fittings are provided: P-trap; tailpiece; two flexible stainless steel supply connections; and Navigator® thermostatic mixing valve with stops.

Activation Types

Adaptive Infrared (Model MG-2/IRP)

The sensor module uses a conical infrared transmitting beam, creating a wide detection area. Adaptive-style sensor shall learn installation environment upon power-up and react (activate) when the user's hands enter the detection area. A timing turn-off delay of 2–3 seconds results in a smooth, controlled hand-washing operation. The Bradley adaptive sensor is not affected by varying color tones or darkness. Direct sunlight or bright washroom lights (up to 10,000 foot candles) will not activate the system.

- Solenoids – 12VDC, 3/8" NPT. The electronically activated, slow-closing solenoid valve provides reliable performance since there are few moving parts, and its operation is unaffected by most chemicals and minerals often present in municipal water supplies. Neither the solenoid valve nor the infrared sensor module need adjustment for range or timing.
- Low Voltage Plug-In Adapter – A UL/CSA-listed 120VAC/12VDC plug-in adapter powers the solenoid valves. The plug-in adapter, furnished as standard equipment, plugs into a standard GFCI protected electrical outlet.

Air Valve (Model MG-2/AST4)

Each push button activates a non-hold-open air valve with field adjustable timing from 0–45 seconds. Factory set at 10 seconds. Each push button activates one valve which, in turn, activates one hand washing station.

TouchTime® Mechanical Metering (Model MG-2/TTPA and Model MG-2/TTPB)

Each low voltage mechanical metering pushbutton (TTPA) or piezo metering switch (TTPB) actuates a non-hold-open, slow closing anti-hammer solenoid valve that is timed from an electronic potted assembly. Each push button activates one valve, which, in turn, activates one station (streamformer). TouchTime controls water flow at each station through the use of solid-state, digital circuitry. Timing is factory set at a 15 second run time but is field adjustable.

Battery Infrared Sensor (Model MG-2/BIR3)

Each battery-powered sensor uses a zone-focused infrared transmitting beam, creating a large detection area. The sensor is not affected by varying skin tones or darkness. When hands enter the detection area, the sensor starts water flow by opening the valve electronically. When hands leave the detection area, the sensor stops the flow of water by closing the valve. The 6-volt DC, electronically activated solenoid valve has few moving parts, providing reliable operation that is unaffected by most chemicals and minerals often present in municipal water supplies. Each station is powered by a single lithium battery. Battery type is Duracell® DL 223A 6-volt lithium or equivalent (batteries included) with a life expectancy of 4–5 years or approximately 200,000 cycles.

Optional Equipment

Soap Dispenser Type

One horizontally-mounted pump-style valve is located over the drain. Soap tank is located within the stainless steel frame. Soap tank is refillable through an easily accessible exterior filler cap. Filler cap is vandal resistant and opens with special spanner wrench included. Soap tank capacity is ¾ gallon.

For information on Terreon and TerreonRE Waste Receptacles for the Express MG-Series, visit bradleycorp.com.

Verify all rough-in dimensions prior to installation.

Consult local and national codes. Conformity and compliance to local and national codes is the responsibility of the installer.

Page 2 of 5 3/16/2017

This information is subject to change without notice.

Bradley_Sink_Express_MG-2

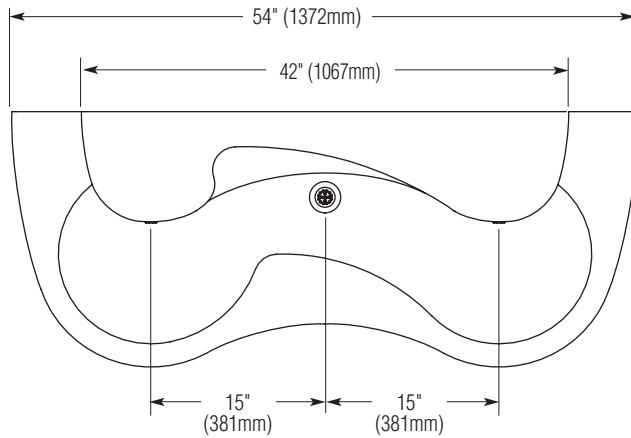
© 2017 Bradley
P.O. Box 309, Menomonee Falls, WI 53052-0309
800 BRADLEY (800 272 3539) +1 262 251 6000
bradleycorp.com



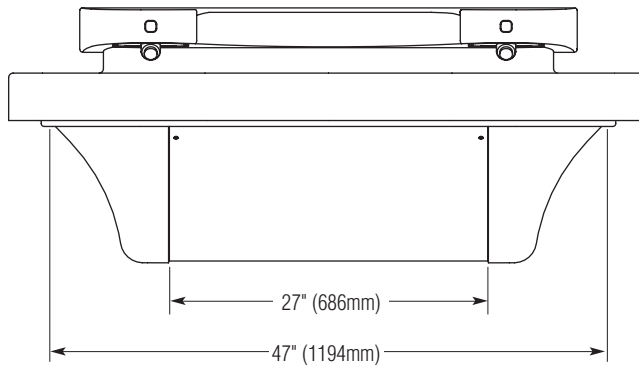
MG-2 Express® Lavatory System – MG-Series

Dimensions

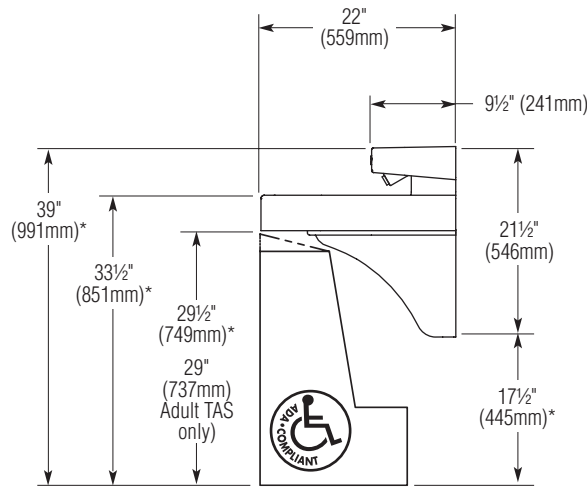
Top View



Front View



Side View



- * Subtract 4" from all vertical dimensions for Juvenile Height Mounting.
- * Subtract 3½" from all vertical dimensions for TAS Juvenile Height Mounting (grades Pre-K through 5 or 6).
- * Subtract 1½" from all vertical dimensions for TAS Juvenile Height Mounting (grades 6 through 8 or 9).

Verify all rough-in dimensions prior to installation.
Consult local and national codes. Conformity and compliance to local and national codes is the responsibility of the installer.



MG-2 Express® Lavatory System – MG-Series

Standard Selections (Must select one from each category)

Activation Type

- IRP** Adaptive Infrared
- AST4** Air Valve
- TTPA** TouchTime Mechanical Metering
- TTPB** TouchTime Piezo Metering Switch
- BIR3** Battery Infrared

Soap Dispenser Type (select one)

- LSD-2** One Integral Liquid Soap Dispenser (MG-2)
- NSD** No Soap Dispenser

Water Supply Type (select one)

- TMA** Navigator Thermostatic Mixing Assembly (Hot and Cold Supplies)
- TL** Single Tempered Line

Color of Terreon Bowl/Sprayhead Cover (select one)

Standard Colors

- | | |
|---|--|
| <input type="checkbox"/> ALP-WHT Alpine White | <input type="checkbox"/> LONDON London Gray |
| <input type="checkbox"/> AVALANCHE Avalanche † | <input type="checkbox"/> MOONSTONE Moonstone † |
| <input type="checkbox"/> BONE Mesa Bone | <input type="checkbox"/> O-TAUPE Organic Taupe |
| <input type="checkbox"/> CHAR Charcoal Gray | <input type="checkbox"/> PEBBLE Pebble Beach |
| <input type="checkbox"/> COBBLE Cobblestone | <input type="checkbox"/> PEP-WHT Peppered White |
| <input type="checkbox"/> DRIFT Driftwood † | <input type="checkbox"/> POLAR Polar Ice † |
| <input type="checkbox"/> DS-WHT Designer White | <input type="checkbox"/> SAND Sandtrap |
| <input type="checkbox"/> DUNE Sand Dune † | <input type="checkbox"/> S-CREEK Stone Creek |
| <input type="checkbox"/> E-GRAY Empire Gray | <input type="checkbox"/> S-MIST Silver Mist |
| <input type="checkbox"/> GLACIER Glacier | <input type="checkbox"/> WHT-SAND White Sand |
| <input type="checkbox"/> GRAPH Graphite | |
| <input type="checkbox"/> LANNON Lannonstone | |

Designer Colors* (available at an additional charge)

- | | |
|--|--|
| <input type="checkbox"/> ARC-CHIP Arctic Chip | <input type="checkbox"/> COFFEE Coffee Bean |
| <input type="checkbox"/> RIVER Riverstone | |

TerreonRE Colors* (available at an additional charge)

- | | |
|---|---|
| <input type="checkbox"/> BIRCH-BARK Birch Bark | <input type="checkbox"/> MOONDUST Moondust |
| <input type="checkbox"/> DUSK Dusk | <input type="checkbox"/> OAT Oat |

Optional Selections

Waste Assembly Type:

- S-CHROME** Single Chrome-Plated P-Trap
- S-POLY** Single Polypropylene P-Trap

*Non-cancelable, non-returnable

† This color contains large, randomly distributed chips.

Verify all rough-in dimensions prior to installation.

Consult local and national codes. Conformity and compliance to local and national codes is the responsibility of the installer.

Page 5 of 5 3/16/2017

This information is subject to change without notice.

Bradley_Sink_Express_MG-2

© 2017 Bradley
P.O. Box 309, Menomonee Falls, WI 53052-0309
800 BRADLEY (800 272 3539) +1 262 251 6000
bradleycorp.com